



Project No. T333-25

Report Date: November 13, 2025

No. Pages: 8 (inclusive)

PERFORMANCE TEST REPORT

ANSI/SPRI/FM 4435/ES-1
TEST RE-2

ON

TALONLOCK GRAVEL STOP
(8" FACE X 24 GA STEEL)

FOR

METALWYZE
106 PIERCES ROAD
NEWBURGH, NY 12550

Prepared by:

Paul G. Farabaugh

Approved by:

Daniel G. Farabaugh



DADE COUNTY
ACCREDITED
LABORATORY



AAMA
ACCREDITED
LABORATORY



TEXAS
ACCREDITED
LABORATORY



FLORIDA
ACCREDITED
LABORATORY
& QC ENTITY

Project No. T333-25

Objective:

The purpose of the testing was to determine the performance of the test specimens under the conditions set forth in the referenced standards and as provided herein.

Customer:

MetalWyze
106 Pierces Rd.
Newburgh, NY 12550

Specimen:

TalonLock Gravel Stop
- 8" Face X 24 ga Steel Cover (0.025" measured thickness)
- 24 ga Steel Continuous Cleat (0.025" measured thickness)

Test Assembly:

The mock- up consisted of a 24 ga Steel Cover with that was fitted on to a 24 ga Steel Continuous Cleat that was attached to wood blocking as shown on the attached drawings.

Test Procedure:

The test procedure was per ANSI/SPRI/FM 4435/ES-1, 2022, Test RE-2 "Test Method for Edge Systems Used with Low Slope Roofing Systems" and as provided herein. Controlled loading devices provided face loadings. Loading was applied uniformly on 12" centers to the front face of the specimen. The load was applied on parallel horizontal centerline of the surface tested in an outward direction. Between incremental loads, the loading was reduced to zero until the specimen stabilized or a recovery period of not more than 5 minutes. The load procedure was continued until failure or the desired load was achieved

Project No. T333-25

TEST DATA

TEST RE-2

Test Date: 11/13/25

Specimen: - TalonLock Gravel Stop
8" Face X 24 ga Steel Cover with 24 ga Steel Cleat

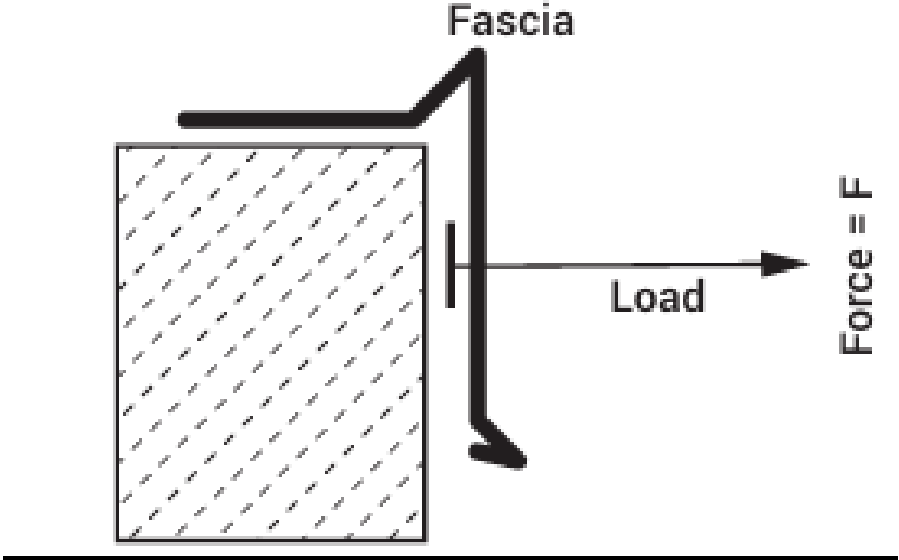
Cover / Cleat Length: 10 ft

Front Face Pressure (Horizontal / Lateral) (PSF)	Comments
25	PASS
50	PASS
60	PASS
70	PASS
80	PASS
90	PASS
100	PASS
110	PASS
120	PASS
130	PASS
140	PASS
150	PASS
160	PASS
170	PASS

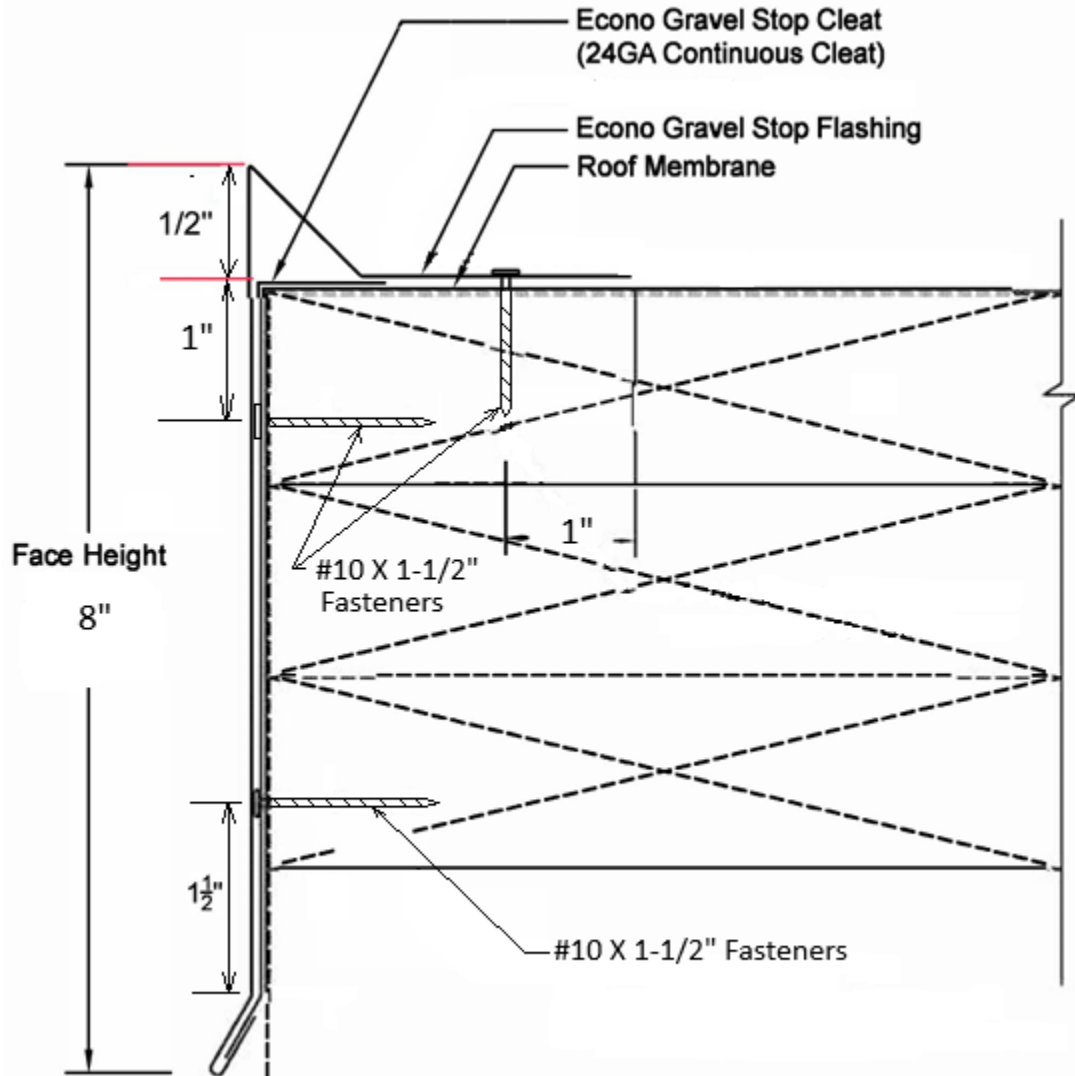
Results:

Maximum Test Load (held for 1 min. with no failure) = 170 psf

In attempt to reach the next loading increment, the cover disengaged from the cleat.



TEST DETAIL

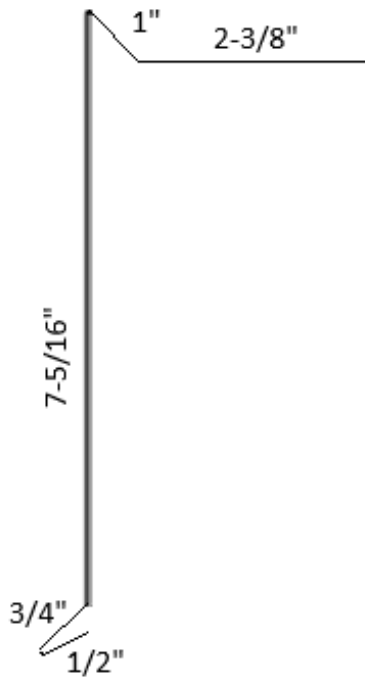


ASSEMBLY DETAIL

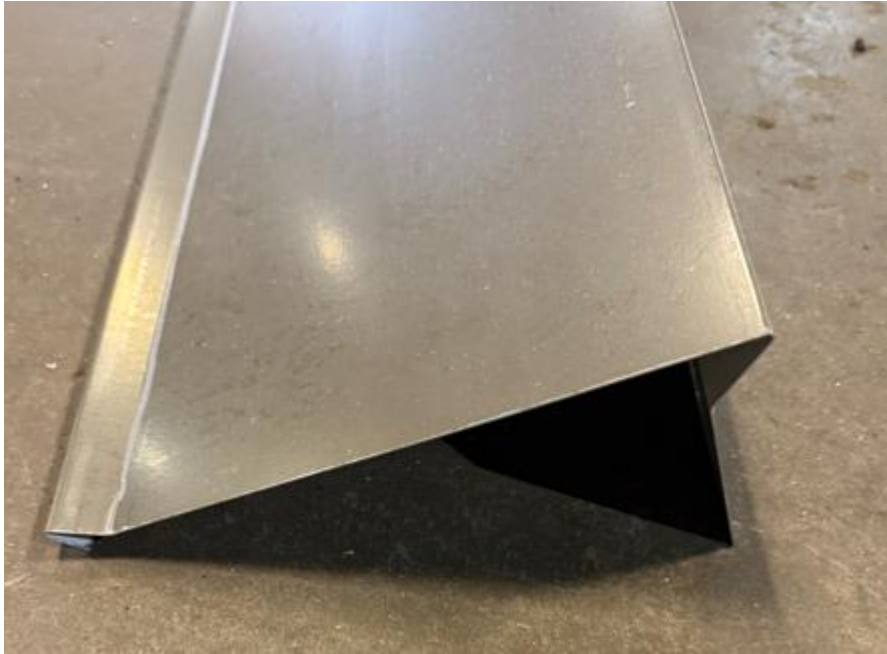
- Notes:
- Cleat and Cover was attached to No.2 Douglas Fir Wood Blocking With #10-13 X 1-1/2" GP SS Pancake Head Fasteners located at 12" o.c.
 - Roof Membrane not used in testing.



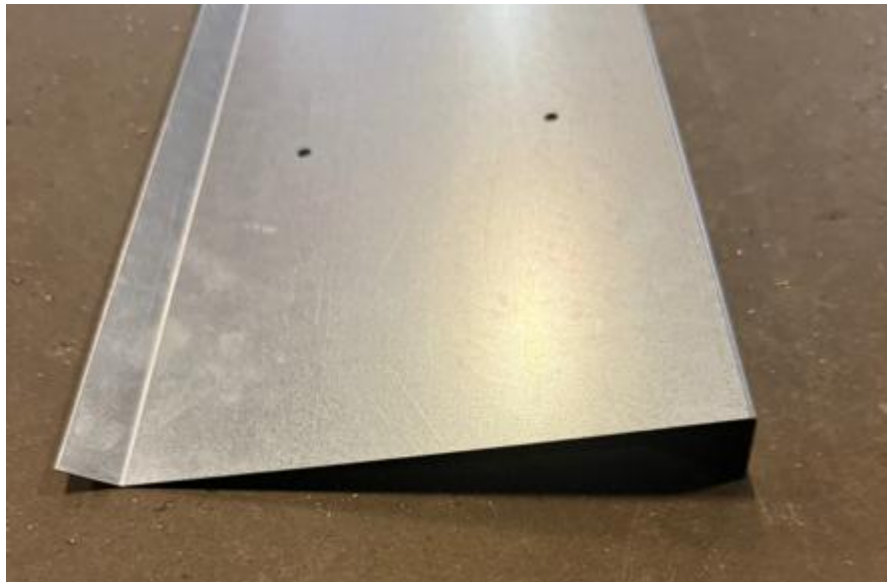
CLEAT



TALONLOCK
GRAVEL STOP COVER



TALONLOCK
GRAVEL STOP COVER



CLEAT

Project No. T333-25

This test report does not constitute certification or approval of the product tested nor an opinion or endorsement by this laboratory. Component drawings provided in this report as supplied by the customer were reviewed for product identification. Specific information regarding material types and composition shown that are provided by the customer is not verified as part of this testing. This report shall not be reproduced without written consent from FET and the customer.

Revision Log

<u>Rev. #</u>	<u>Date</u>	<u>Page(s)</u>	<u>Revision(s)</u>
0	11/13/25	N/A	Original report issue.