



Project No. T331-25

Report Date: November 10, 2025

No. Pages: 8 (inclusive)

PERFORMANCE TEST REPORT

ANSI/SPRI/FM 4435/ES-1
TEST RE-2

ON

TALONLOCK FASCIA PRO
(8" FACE X 0.040" ALUMINUM)

FOR

METALWYZE
106 PIERCES ROAD
NEWBURGH, NY 12550

Prepared by:

Paul G. Farabaugh

Approved by:

Daniel G. Farabaugh



DADE COUNTY
ACCREDITED
LABORATORY



AAMA
ACCREDITED
LABORATORY



TEXAS
ACCREDITED
LABORATORY



FLORIDA
ACCREDITED
LABORATORY
& QC ENTITY

Project No. T331-25

Objective:

The purpose of the testing was to determine the performance of the test specimens under the conditions set forth in the referenced standards and as provided herein.

Customer:

MetalWyze
106 Pierces Rd.
Newburgh, NY 12550

Specimen:

TalonLock Fascia PRO
- 8" Face X 0.040" Aluminum Cover (0.039" measured thickness)
- 0.050" Aluminum Continuous Cleat (0.048" measured thickness)

Test Assembly:

The mock-up consisted of a 0.040" Aluminum Cover with that was fitted on to a 0.050" Aluminum Continuous Cleat that was attached to wood blocking as shown on the attached drawings.

Test Procedure:

The test procedure was per ANSI/SPRI/FM 4435/ES-1, 2022, Test RE-2 "Test Method for Edge Systems Used with Low Slope Roofing Systems" and as provided herein. Controlled loading devices provided face loadings. Loading was applied uniformly on 12" centers to the front face of the specimen. The load was applied on parallel horizontal centerline of the surface tested in an outward direction. Between incremental loads, the loading was reduced to zero until the specimen stabilized or a recovery period of not more than 5 minutes. The load procedure was continued until failure or the desired load was achieved

TEST DATA

TEST RE-2

Test Date: 11/9/25

Specimen: - TalonLock Fascia PRO
8” Face X 0.040” Aluminum Cover with 0.050” Aluminum Continuous Cleat

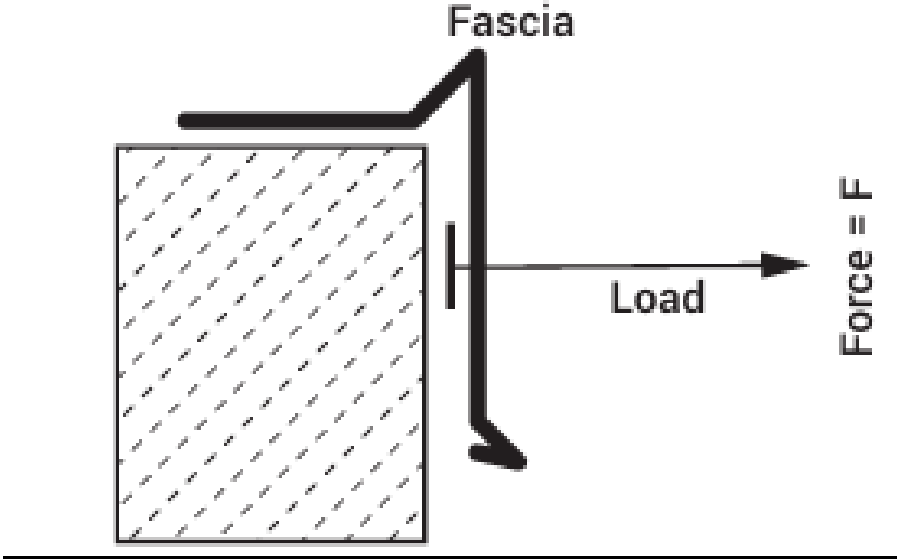
Cover / Cleat Length: 10 ft

Front Face Pressure (Horizontal / Lateral) (PSF)	Comments
25	PASS
50	PASS
60	PASS
70	PASS
80	PASS
90	PASS
100	PASS
110	PASS
120	PASS
130	PASS
140	PASS
150	PASS
160	PASS
170	PASS
180	PASS
190	PASS
200	PASS
210	PASS
220	PASS
230	PASS
240	PASS
250	PASS

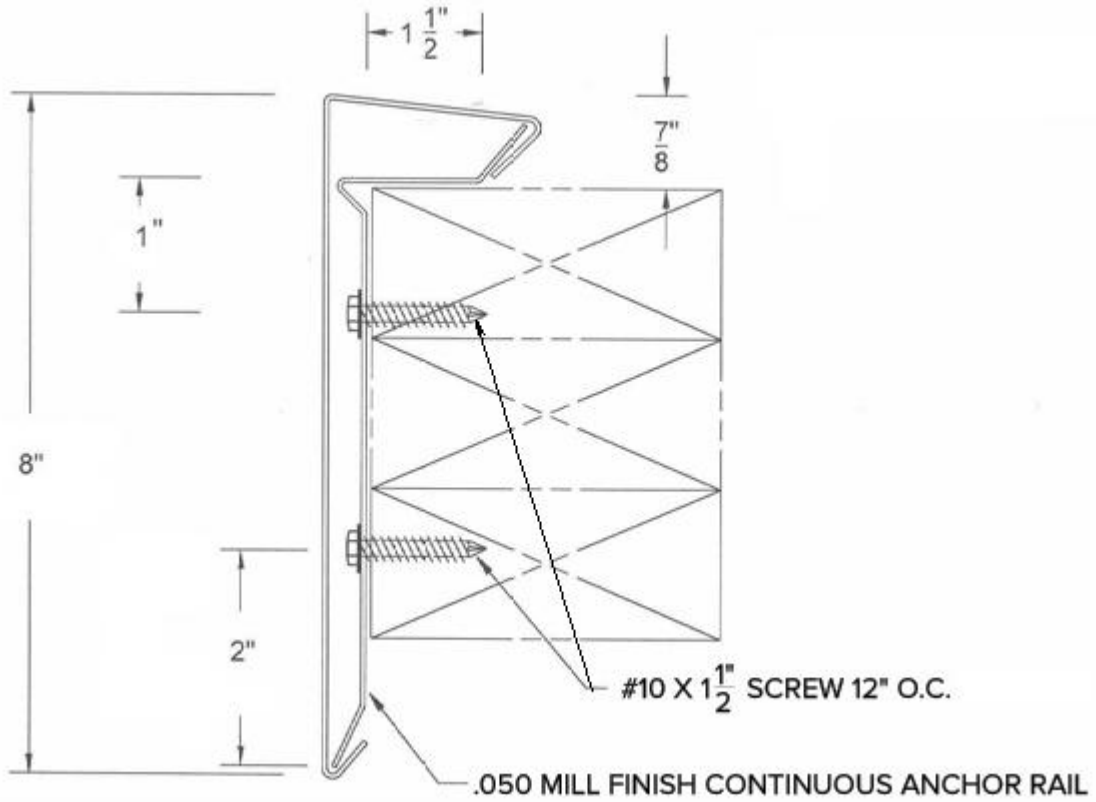
Results:

Maximum Test Load (held for 1 min. with no failure) = 250 psf

In attempt to reach the next loading increment, the cover disengaged from the cleat.

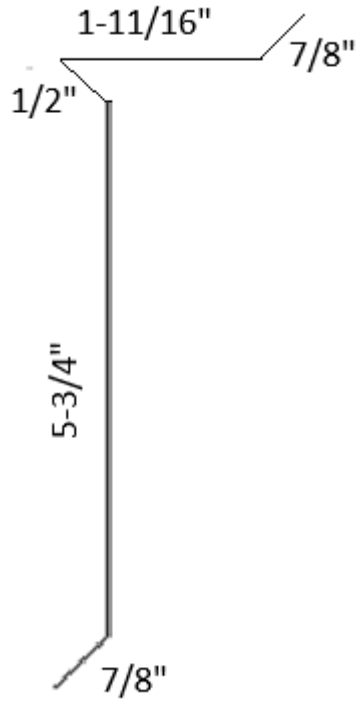


TEST DETAIL

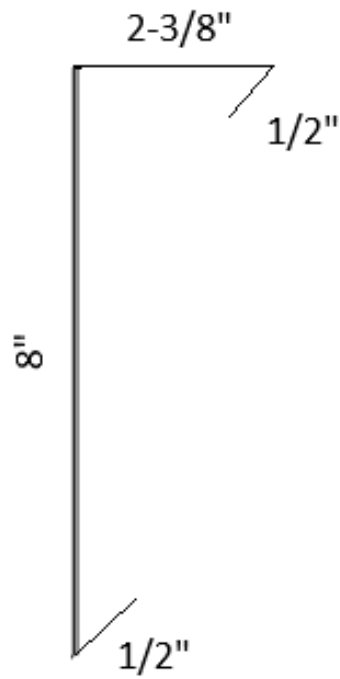


ASSEMBLY DETAIL

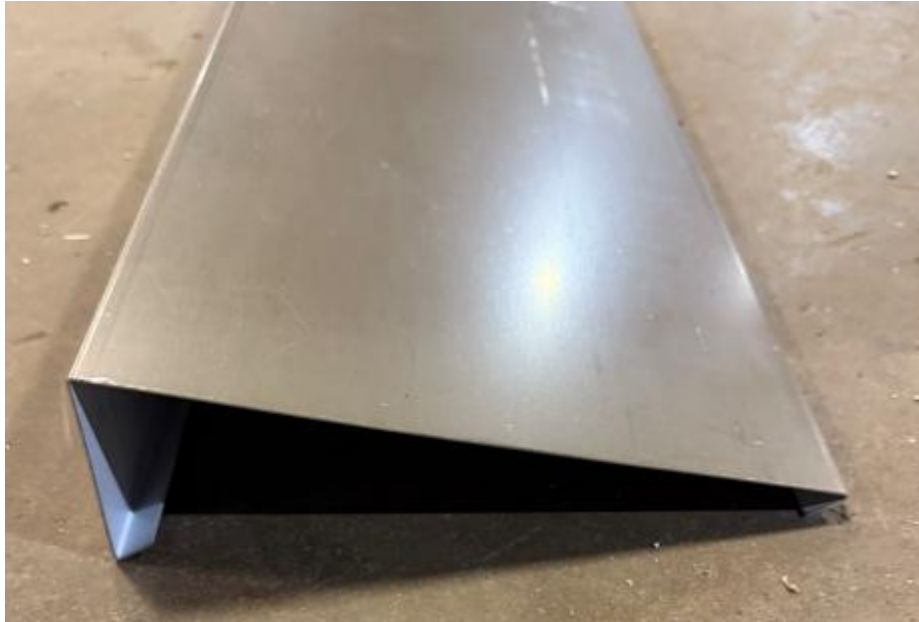
Notes: - Cleat was attached to No.2 Douglas Fir Wood Blocking
With #10-13 X 1-1/2" GP SS Pancake Head Fasteners located at 12" o.c.



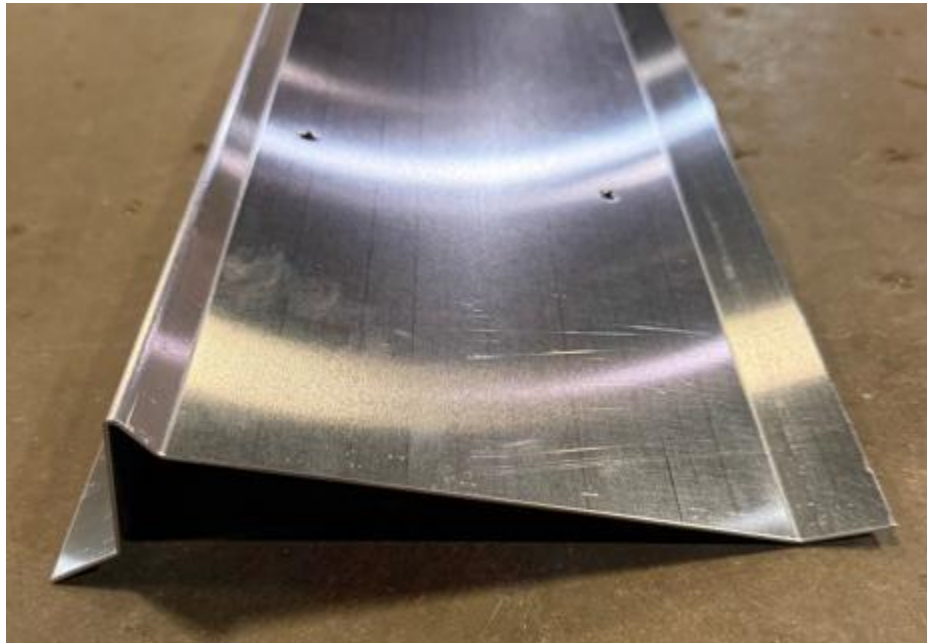
CLEAT



TALONLOCK
FASCIA PRO COVER



TALONLOCK
FASCIA PRO COVER



CLEAT

Project No. T331-25

This test report does not constitute certification or approval of the product tested nor an opinion or endorsement by this laboratory. Component drawings provided in this report as supplied by the customer were reviewed for product identification. Specific information regarding material types and composition shown that are provided by the customer is not verified as part of this testing. This report shall not be reproduced without written consent from FET and the customer.

Revision Log

<u>Rev. #</u>	<u>Date</u>	<u>Page(s)</u>	<u>Revision(s)</u>
0	11/10/25	N/A	Original report issue.